

PRODUCT CATALOGUE



MANUFACTURERS OF



Groundbreaker Precision Agriculture is the agricultural arm of Toowoomba Engineering, a well-established manufacturing business who are renown for exceptional workmanship and high end manufacturing for over 15 years.

This Australian family business has grown to offer a broad range of quality agricultural equipment to meet the high demands of today's farming systems.

Contact us today to talk about your needs, our expert team can also offer onfarm demonstrations!



info@groundbreaker.com.au
graeme@tmbaeng.com.au

OFFICE: (07) 4634 5150
Nick Farquharson: Director 0408 302 869
Graeme Easey: Sales Manager 0432 336 049



SUPER STRIKE SINGLE DISK

The Super strike parallelogram single disk offers much more than other spring arm style units in the market place.

Including up to 180mm of travel up and down from the planting position, 7 degree angle left and right plus 8 degrees undercut enabling this unit to plant into the toughest conditions.

FEATURES

Robust construction

A true full parallelogram unit

Hardened steel bushes in pivot points

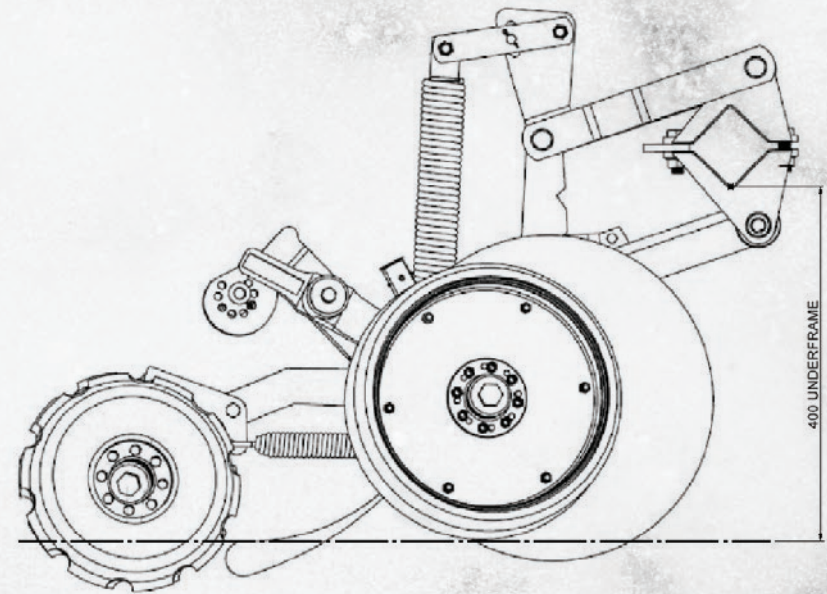
Heavy duty hub bearings

Slotted gauge wheels

Minimal maintenance

Very quick and simple depth and press wheel adjustment

Gauge wheel mud scraper fitted as standard



TE351 SINGLE DISK

A conventional spring style single unit tried and tested well in Australian conditions.

The TE351 is sold as both a replacement unit for your current machine or can be fitted to one of our Toowoomba Engineering bar available in a broad range of style and sizes.

FEATURES

7 degree disc angle left and right hand units

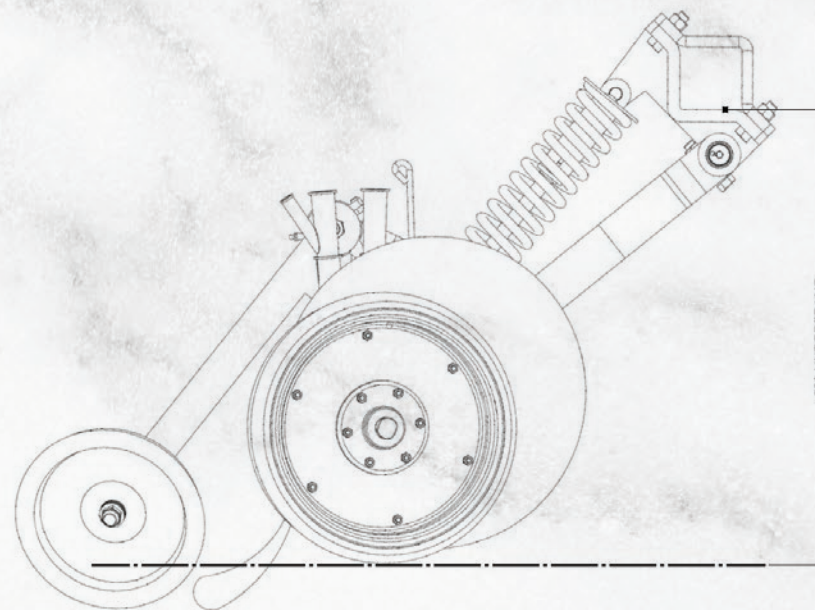
Ring mud scraper comes as standard

Fits any 100x100mm bar

Suitable for cropping and pasture planting

Slotted gauge wheels

Simple adjustments for depth and press wheels



GROUND BREAKER HYDRAULIC TINE UNITS

This proven hydraulic tine system has been used in the toughest of conditions for many years.

Ground breaker tines are a versatile unit for both shallow and deep planting, they can also be fitted with Precision planting equipment for planting summer crops.

FEATURES

Double disc attachment available

Optional coulter disks

Zero maintenance on the unit

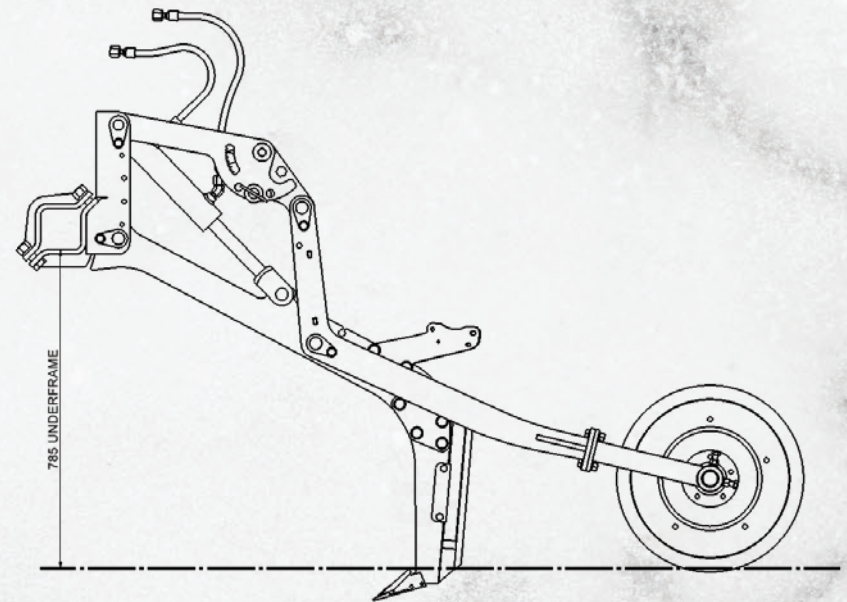
Bisalloy shanks for long life

Heavy duty hydraulic ram system

Independent press wheels operation

Our factory made machines are available from 8 meters to 36 meters in width

Full trailing, end tow or linkage bars, 100x100mm construction



BLUE HEELER CHISEL PLOUGH

The Blue Heeler Chisel plough is made for deep subsoil penetration in the toughest of conditions.

Ideal for deep ripping in pasture situations or breaking through problem clay plans to increase moisture storage for cropping areas.

FEATURES

200x200mm x 10mm RHS construction

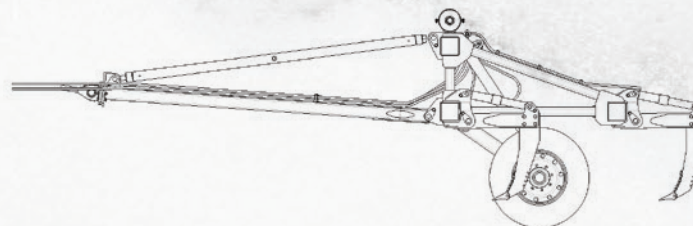
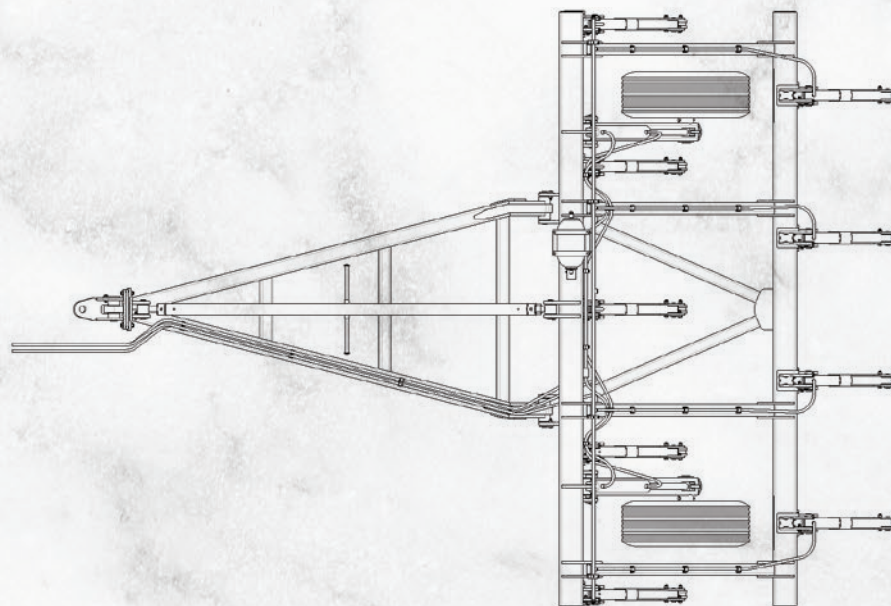
Multiple tine layouts

Robust screw adjustor for machine leveling

Heavy duty hydraulic breakout

Bisalloy shanks with replaceable points

Roll pin fit points



BALE RUNNER

Get your round bales out of the paddock quicker and in a more cost effective/simpler way

Reduce the cost of bale collection by 30%

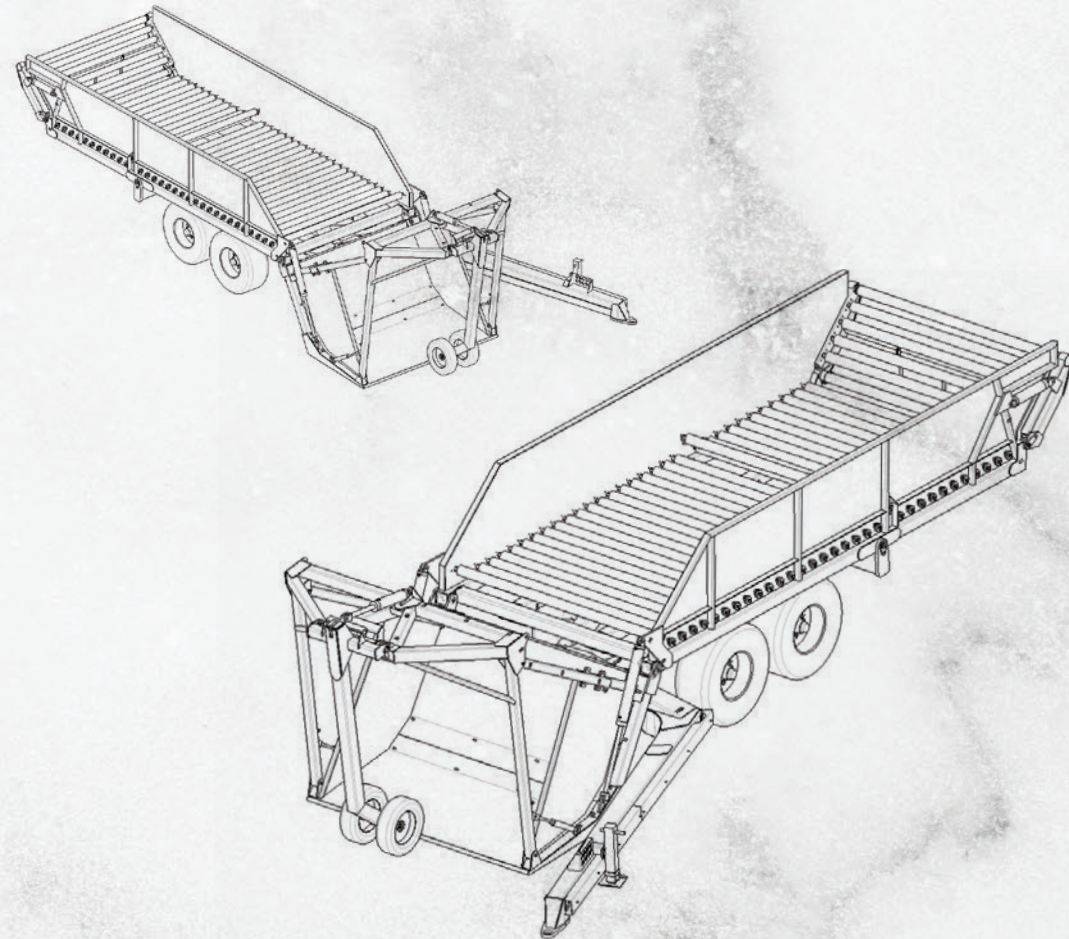
Capacity to collect 300+ bales per day

Reduce staff issues - one operator required

Simplify your round bale handling with the proven "Bale Runner"

Collects 4 bales at a time and up to 300 per day even in difficult conditions

One Balerunner can manage collecting bales for up to 2 or 3 pickers at a time depending on conditions



TOP TRACK

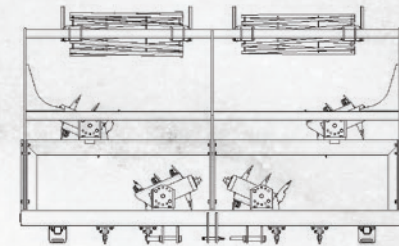
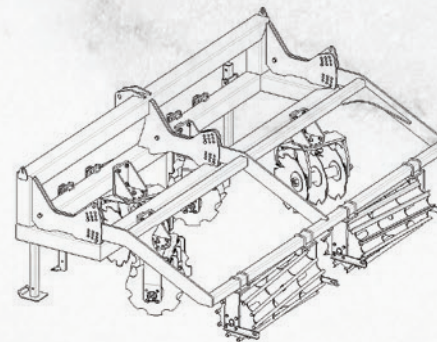
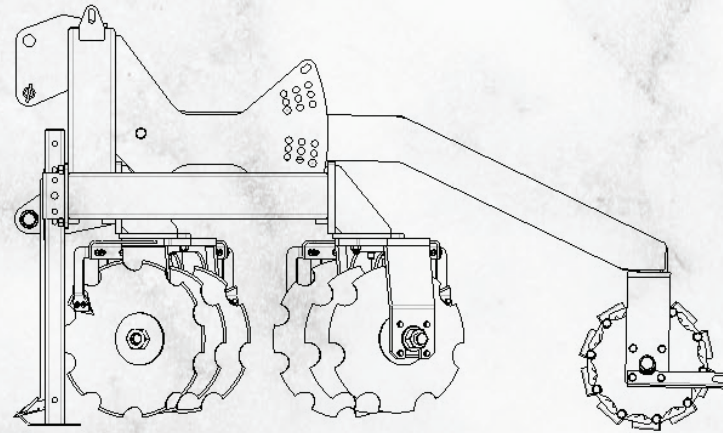
Repairing wheel tracks is a constant issue with bigger machinery and bigger rain events becoming a part of farming

Our one pass “Top Track” wheel trench repairer could be the answer.

This heavy-duty linkage machine offers a strong frame, to dig even the most difficult conditions.

4 offset disk gangs on two bars with rotational adjustment offer optimal filling and better trash flow to reduce blockages.

We offer heavy ripper shanks as an option and crumble roller for a good finish.



CRUSADER STRIP TILL

The new Crusader Strip Till from Toowoomba Engineering is the heaviest and most durable in the marketplace.

Recently released this unit is sold both as an individual unit or one one of our heavy-duty linkage bars.

FEATURES

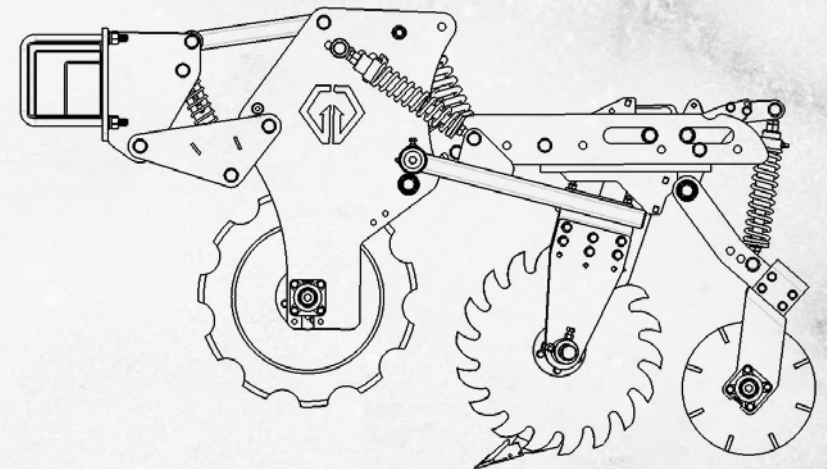
Mounts onto 6,7 and 8 inch tool bars

Loads on adjustment to offer the best result on plant bed preparation

Heavy duty ripper tine for fertilizer placement

Hard facing on ripper tines

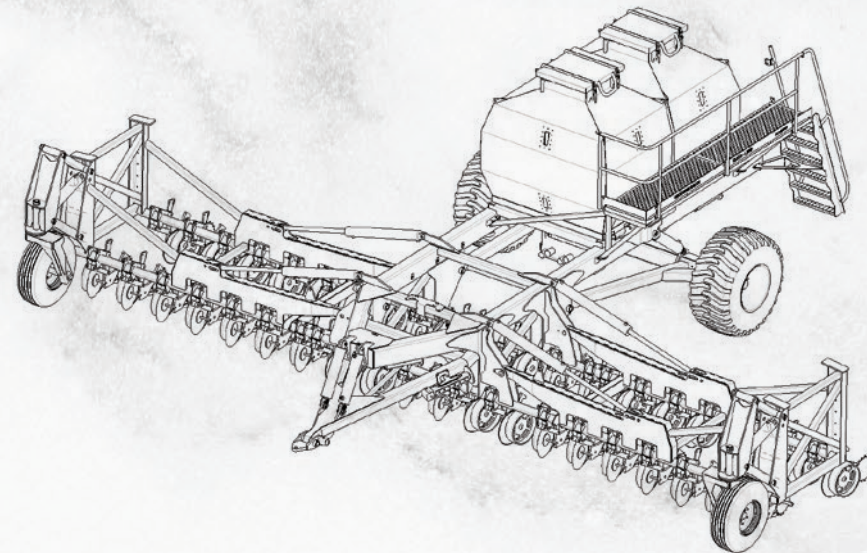
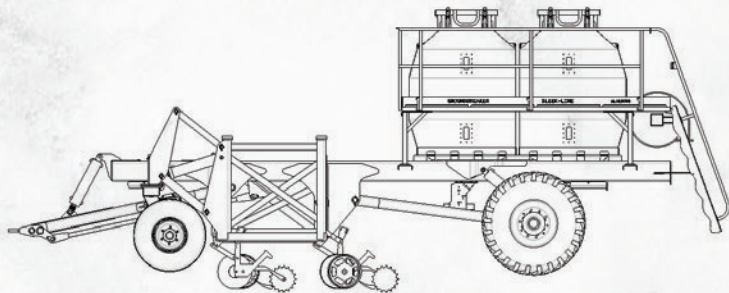
Crumble roller as standard



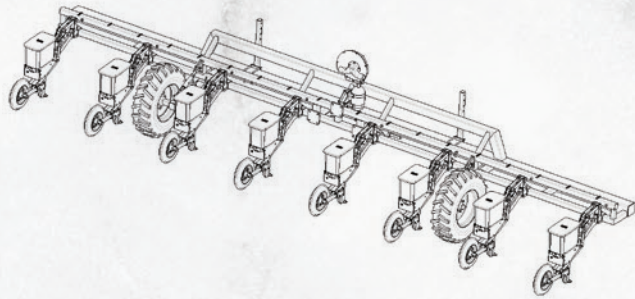
GROUND BREAKER FRAMES

Our machine frames are all made in our Toowoomba facility using all Australian steel

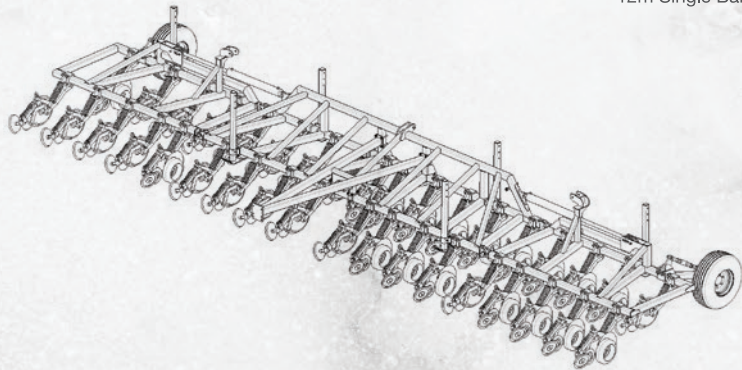
We offer a variety of machine frames from full trailing to linkage in a variety of sizes to suit your application.



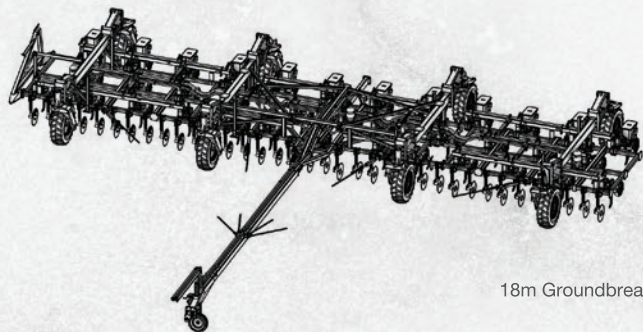
10m Sleek Line



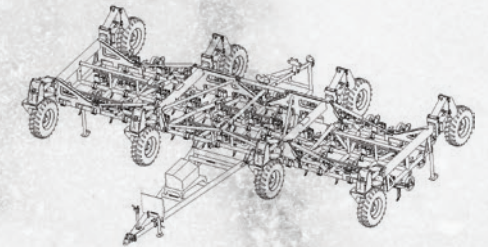
12m Single Bar



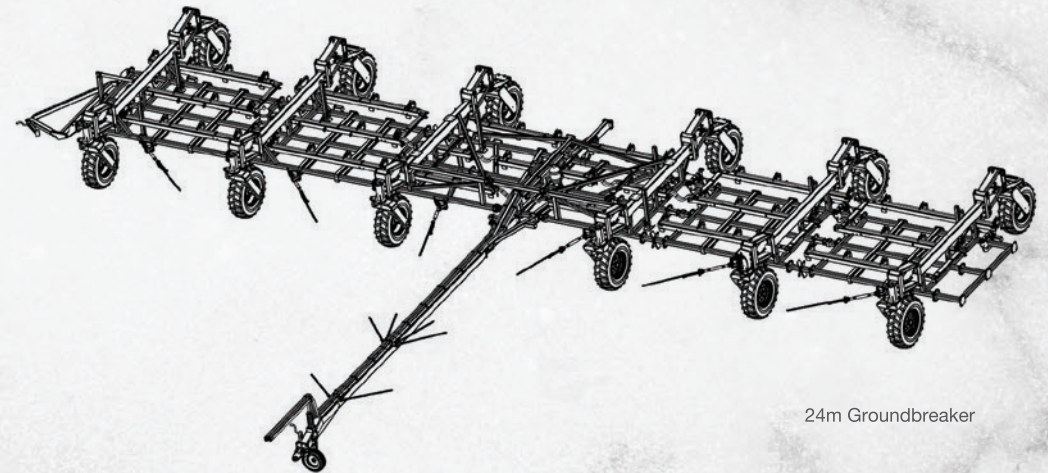
12m Double Bar



18m Groundbreaker



12m Groundbreaker



24m Groundbreaker

FEATURES

9mm wall thickness on RHS frame

Durable powder coat finish

Excellent back up and parts supply

